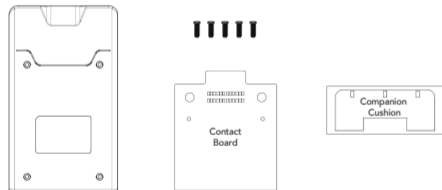


What's in the Box?

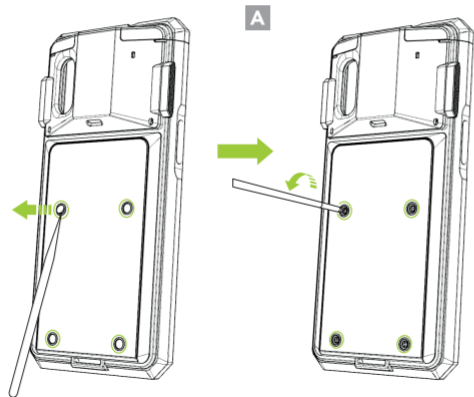
- ▶ 1 x SKXPro 0.5W UHF Companion
- ▶ 1 x Contact Board
- ▶ 1 x Companion Cushion
- ▶ 4 x screws + 1 extra



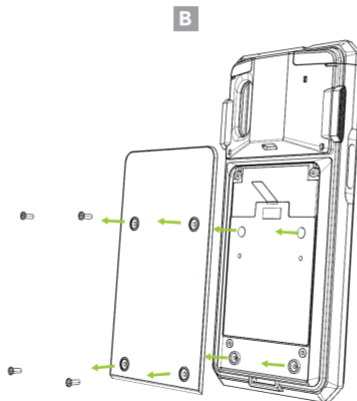
*XCover Pro/SKXPro sold separately.
Pin and PH0 screw driver (not included)
will be necessary to complete assembly.

Assembly Instructions

1. Using a pin or a sharp tool, carefully remove all four (4) screw caps from the back of the SKXPro. Then, unscrew all (4) screws from the back of SKXPro. (A)



2. With the screws removed, remove the companion cover as shown in the image below. (B)



Additional Accessories

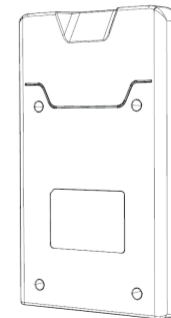
- ▶ 1.0W UHF Reader Companion
- ▶ 2000mAh Extended Battery Companion
- ▶ Pistol Grip Companion (battery optional)
- ▶ SKXPro 1-Slot Charging Cradle
- ▶ SKXPro 5-Slot Charging Cradle
- ▶ SKXPro Pistol Grip 1-Slot Charging Cradle
- ▶ SKXPro Pistol Grip 5-Slot Charging Cradle

KOAMTAC

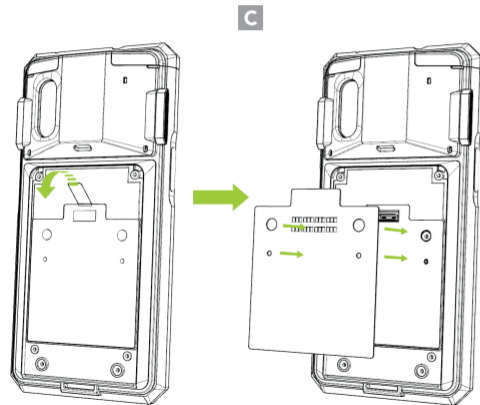
116 Village Blvd, Ste 305, Princeton, NJ 08540
+1 609-256-4700 p | +1 609-228-4373 f
info@koamtac.com | www.koamtac.com

KOAMTAC

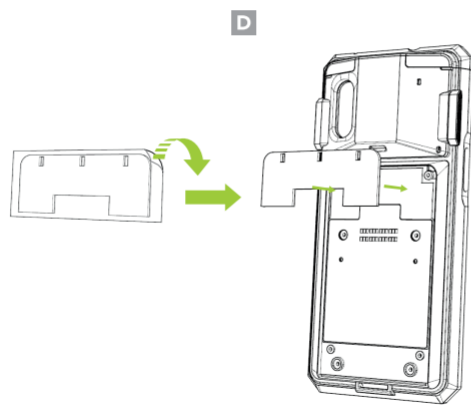
SKXPro 0.5W UHF Reader Companion
Assembly Manual



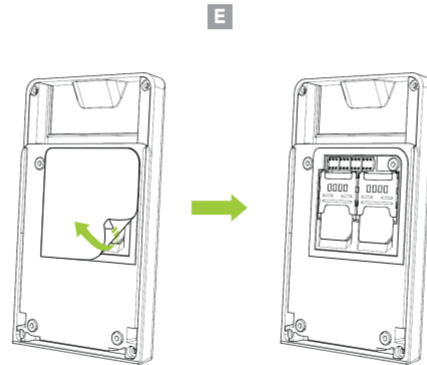
3. Remove the blue protective tape from the front of the Companion PCB Tape. Next, attach the Contact Board to the back of the SKXPro as shown below. (C)



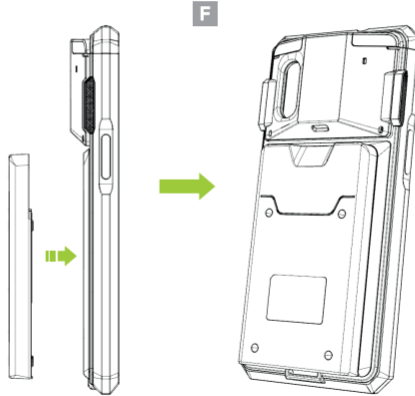
4. Remove the transparent protective tape from the back of the Companion Cushion and attach it to the back of SKXPro as shown below. (D)



5. Remove the blue protective film from the back of the SKXPro 0.5W UHF Companion. (E)



6. Align the screw holes of the SKXPro 0.5W UHF Companion with the screw holes of the SKXPro. (F)



7. Using the screws removed in step 1, tighten the 0.5W UHF Companion to the SKXPro and replace the screw caps (G)

