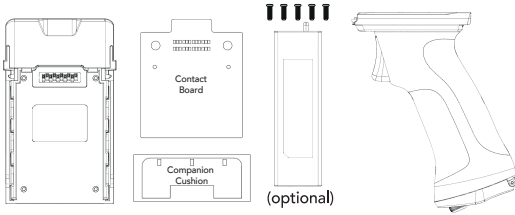


What's in the Box? - Pistol Grip

- ▶ 1 x Pistol Grip
- ▶ 1 x Pistol Grip Adaptor
- ▶ 1 x Contact Board
- ▶ 1 x Companion Cushion
- ▶ 1 x 6000mAh Li-ion Battery (optional)
- ▶ 4 x screws + 1 extra



Additional Accessories

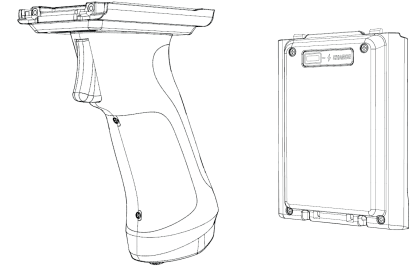
- ▶ 0.5W UHF Reader Companion
- ▶ 1.0W UHF Reader Companion
- ▶ SKXPro 1-Slot Charging Cradle
- ▶ SKXPro 5-Slot Charging Cradle
- ▶ SKXPro Pistol Grip 1-Slot Charging Cradle
- ▶ SKXPro Pistol Grip 5-Slot Charging Cradle

KOAMTAC

116 Village Blvd, Ste 305, Princeton, NJ 08540
+1 609-256-4700 p | +1 609-228-4373 f
info@koamtac.com | www.koamtac.com

KOAMTAC

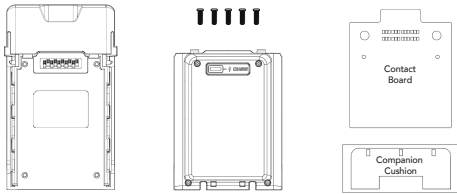
SKXPro Pistol Grip Extended Battery Assembly Manual



*XCover Pro/SKXPro sold separately.
Pin and PH0 screw driver (not included)
will be necessary to complete assembly.

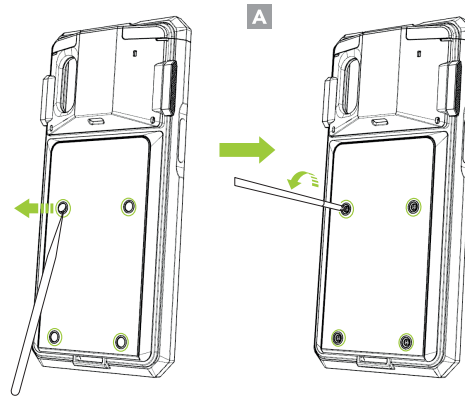
What's in the Box? - Extended Battery

- ▶ 1 x Extended Battery Adaptor
- ▶ 1 x Extended Battery
- ▶ 1 x Contact Board
- ▶ 1 x Companion Cushion
- ▶ 4 x screws + 1 extra

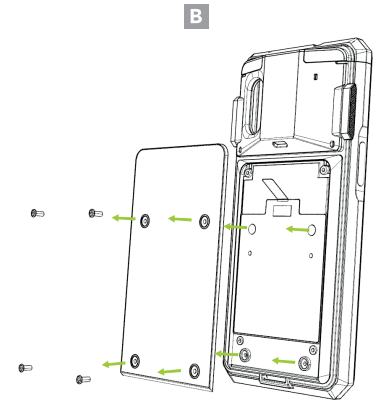


Assembly Instructions

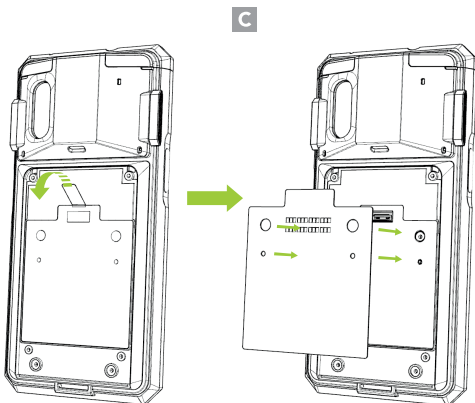
1. Using a pin or a sharp tool, carefully remove all four (4) screw caps from the back of the SKXPro. Then, unscrew all (4) screws from the back of SKXPro. (A)



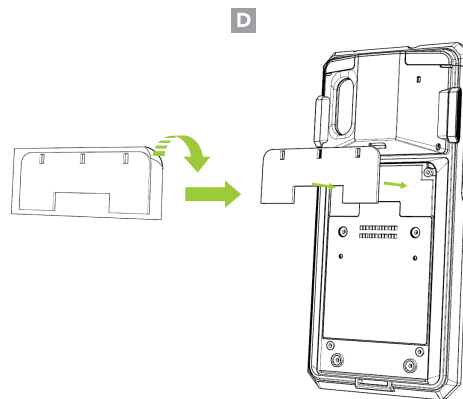
2. With the screws removed, remove the companion cover as shown in the image below. (B)



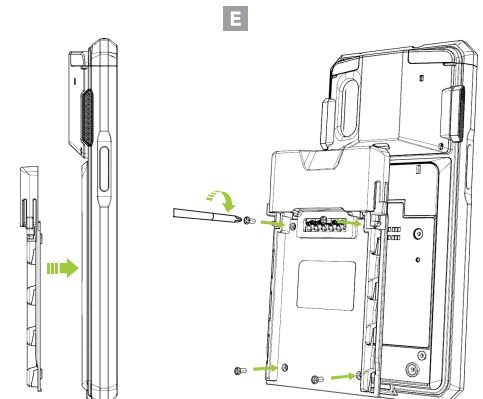
3. Remove the blue protective tape from the front of the Companion PCB Tape. Next, attach the Contact Board to the back of the SKXPro as shown below. (C)



4. Remove the transparent protective tape from the back of the Companion Cushion and attach it to the back of SKXPro as shown below. (D)

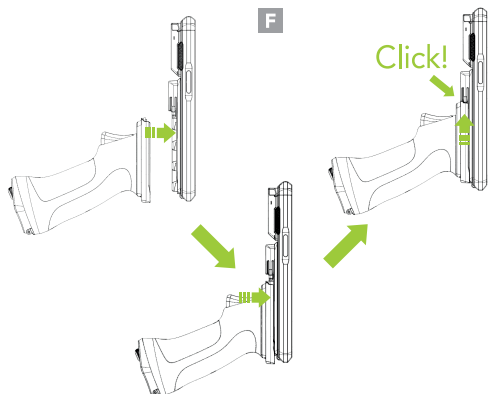


5. Align the screw holes of the Pistol Grip Adaptor with the screw holes of the SKXPro. Use the four (4) included screws to attach the Pistol Grip Adaptor to the SKXPro. (E)

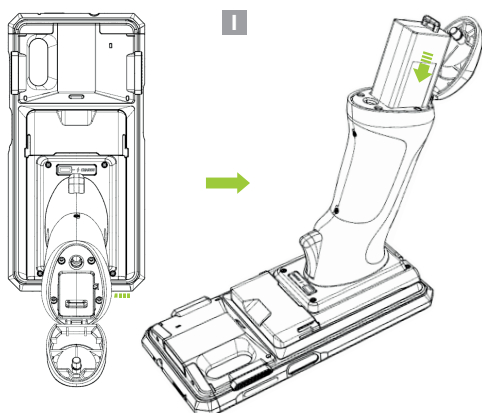


Pistol Grip Assembly

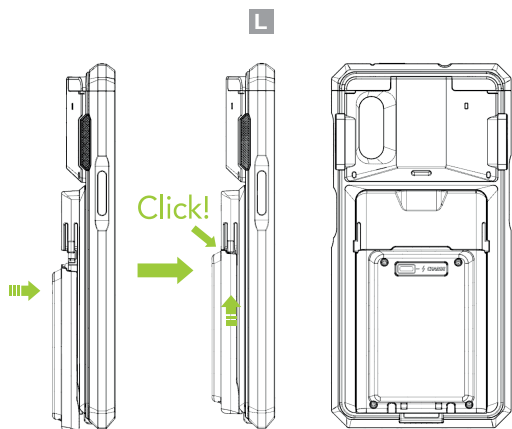
Align the top notch of the Pistol Grip with top notch of the Pistol Grip Adaptor. Slide the Pistol Grip up until it clicks. (F)



2. Insert the battery into the Pistol Grip as show below. (I)

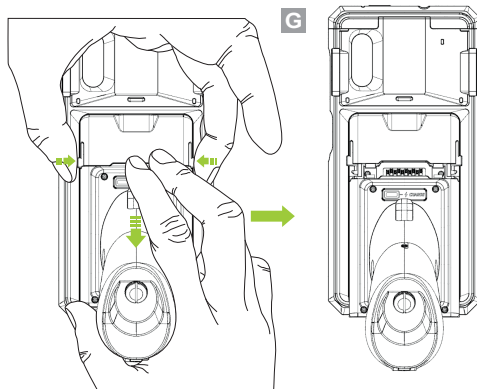


2. Slide the Extended Battery up until it clicks. (L)

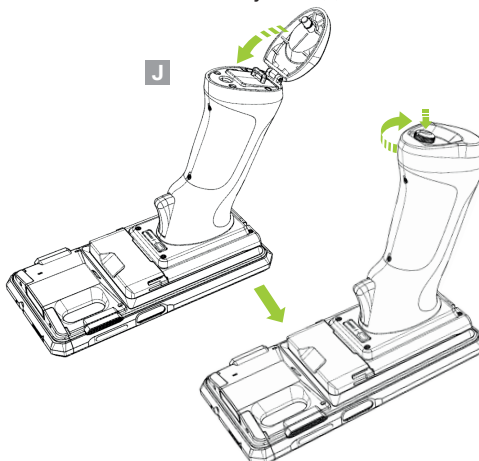


Removing the Pistol Grip

Squeeze the tabs on both sides of the Pistol Grip Adaptor and slide the Pistol Grip down. Pull the Pistol Grip away from the Pistol Grip Adaptor attached to the SKXPro. (G)

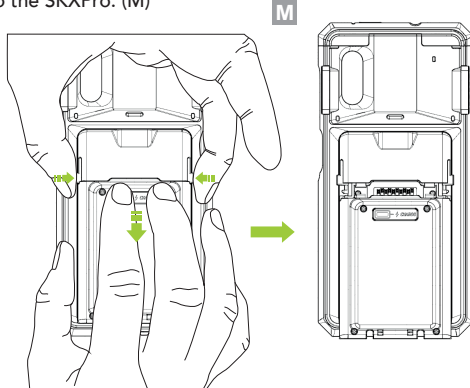


3. Close the battery door and turn the battery door knob clockwise to lock the battery door. (J)



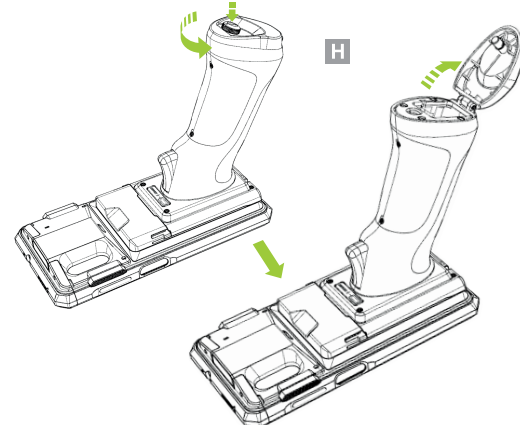
Removing the Extended Battery

Squeeze the tabs on both sides of the Extended Battery Adaptor and slide the Extended Battery down. Pull the Extended Battery away from the Extended Adaptor attached to the SKXPro. (M)



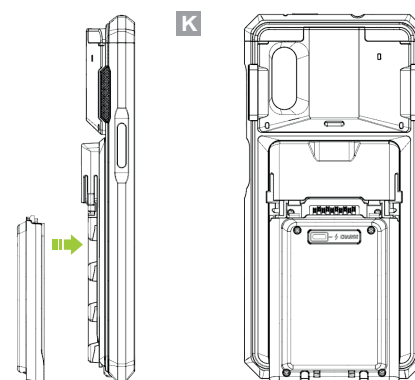
6000mAh Li-ion Battery Assembly Instructions

1. Turn the knob on the bottom of the Pistol Grip counter-clockwise to open the battery door. (H)

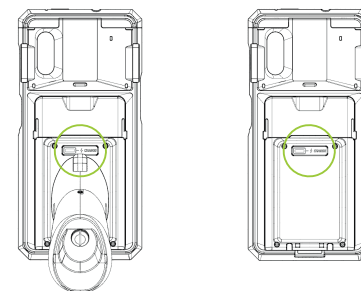


Extended Battery Assembly

1. Align the top notch of the Extended Battery with the top notch of the Extended Battery Adaptor. (K)



Pistol Grip Battery and Extended Battery Indicator Status



While charging:

Green: Fully Charged
Orange: Charging
Red : Low Battery

While discharging:

Blinking Green: Fully Charged
Blinking Orange: Discharging
Blinking Red: Low Battery