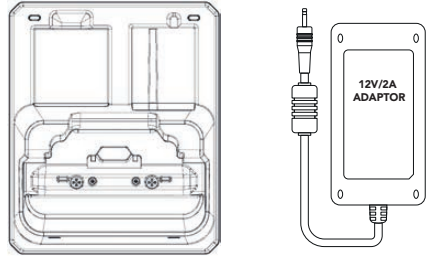


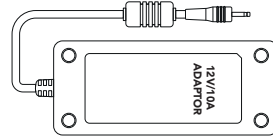
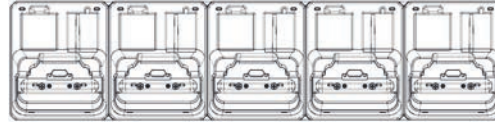
What's in the Box? 1-Slot Cradle

- ▶ 1 x SKXPro Pistol Grip Cradle or 1 x KDC470/475 Pistol Grip Cradle
- ▶ 1 x 12V/2A DC Power Adaptor
- ▶ 1 x USB TYPE-C Cable



What's in the Box? 5-Slot Cradle

- ▶ 1 x SKXPro 5-Slot Pistol Grip Cradle or 1 x KDC470/475 5-Slot Pistol Grip Cradle
- ▶ 1 x 12V/10A DC Power Adaptor

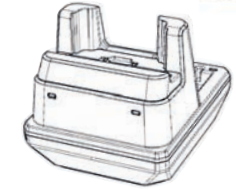
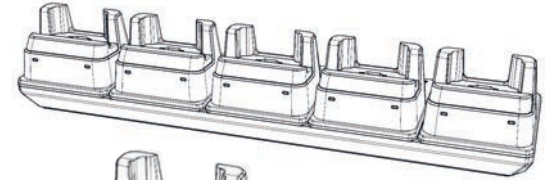


Additional Accessories

- ▶ 0.5W UHF Reader Companion
- ▶ 1.0W UHF Reader Companion
- ▶ 2000mAh Extended Battery Companion
- ▶ Pistol Grip Companion (battery optional)
- ▶ SKXPro 1-Slot Charging Cradle
- ▶ SKXPro 5-Slot Charging Cradle
- ▶ XCover Pro 1-Slot Charging Cradle
- ▶ XCover Pro 5-Slot Charging Cradle

KOAMTAC

SKXPro and KDC470/475 Pistol Grip Charging Cradle Mini Guide

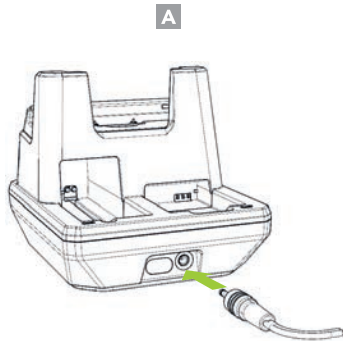


KOAMTAC

116 Village Blvd, Ste 305, Princeton, NJ 08540
+1 609-256-4700 p | +1 609-228-4373 f
info@koamtac.com | www.koamtac.com

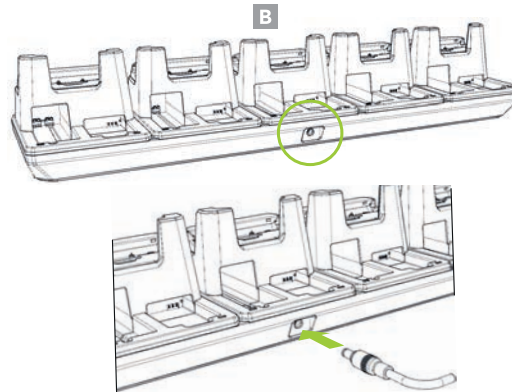
Charging via DC Connector (1-Slot)

Connect the power adaptor to the DC jack on the back of the 1-Slot Charging Cradle (A). Place the SKXPro or KDC470 /475 Pistol Grip on the charging cradle to begin charging.

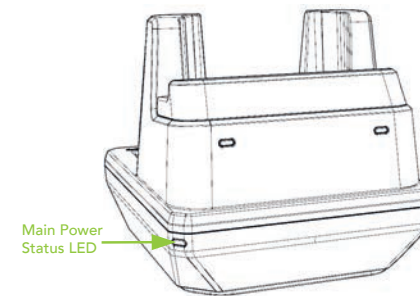


Charging via DC Connector (5-Slot)

Connect the power adaptor to the DC jack on the back of the 5-Slot Charging Cradle (B). Place the SKXPro or KDC470 /475 Pistol Grip on the charging cradle to begin charging.



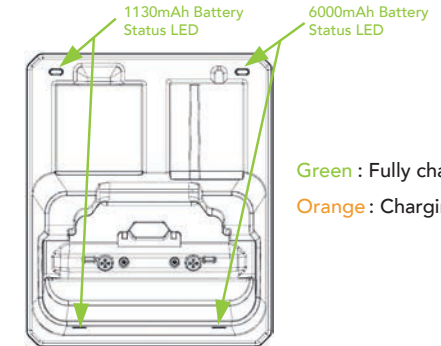
Cradle Power LED Status



Main Power Status LED

Green : Always on when the cradle is powered on

Battery LED Status



1130mAh Battery Status LED

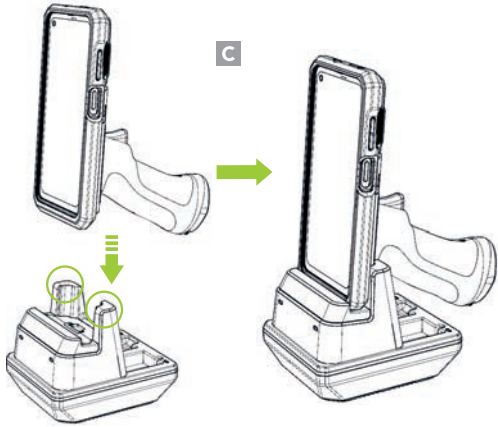
6000mAh Battery Status LED

Green : Fully charged

Orange : Charging

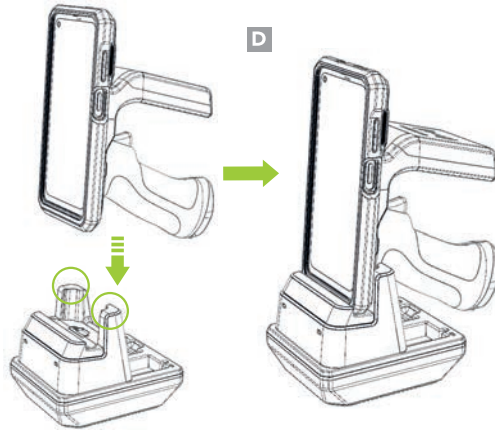
How to Charge the SKXPro Pistol Grip

Mount the SKXPro Pistol Grip in accordance with the guides on the top of the cradle. (C)

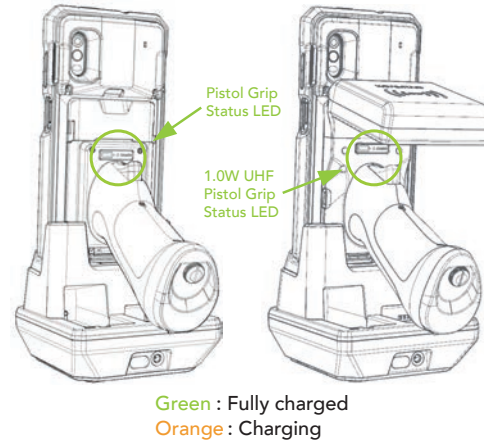


How to Charge the SKXPro 1.0W UHF Pistol Grip

Mount the SKXPro 1.0W UHF Pistol Grip in accordance with the guides on the top of the cradle. (D)

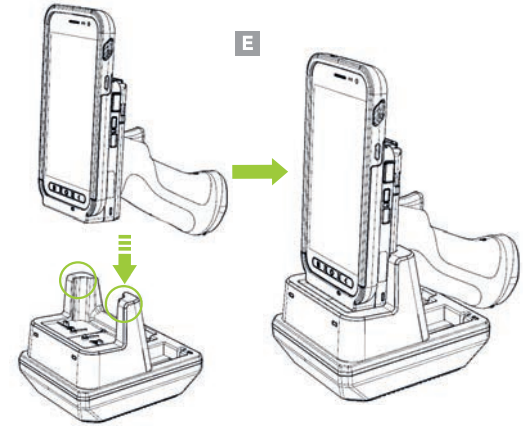


SKXPro Pistol Grip LED Status



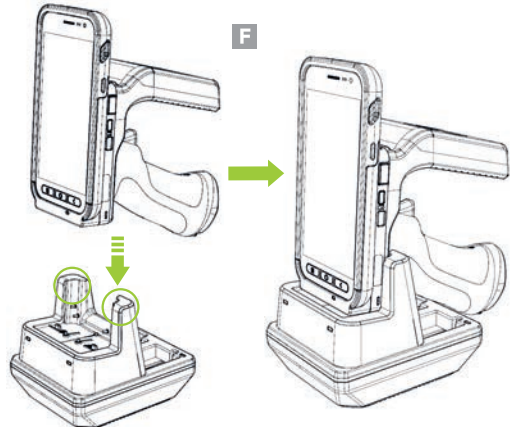
How to Charge the KDC470/475 Pistol Grip

Mount the KDC470/475 Pistol Grip in accordance with the guides on the top of the cradle. (E)

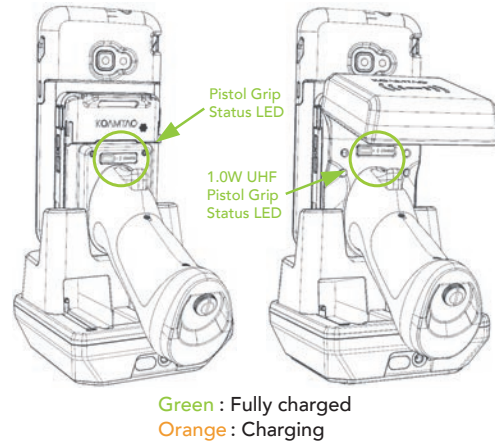


How to Charge the KDC470/475 1.0W UHF Pistol Grip

Mount the KDC470/475 1.0W UHF Pistol Grip in accordance with the guides on the top of the cradle. (F)

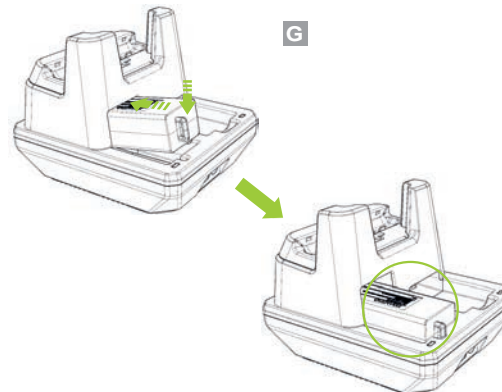


KDC470/475 Pistol Grip LED Status



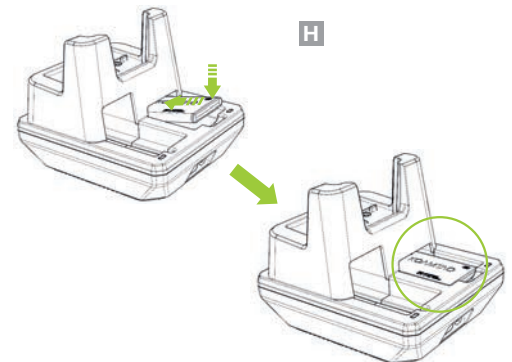
6000mAh Battery Charging

Tilt the battery as shown in the figure below and insert the battery into the battery slot. (G)



1130mAh Battery Charging

Tilt the battery as shown in the figure below and insert the battery into the battery slot. (H)



* The 1130mAh battery is only used for KDC470/475 models.