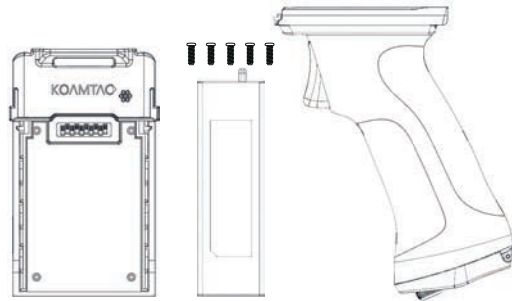


What's in the Box?

- 1 x KDC470/KDC475 Pistol Grip Adapter
- 1 x Pistol Grip
- 1 x Li-ion Battery (6000mAh) (optional)
- 4 x screws + 1 extra



*KDC470/475 sold separately.
Tweezers and PH0 screwdriver (not included)
will be necessary to complete assembly.

Additional KDC470/475 Accessories:

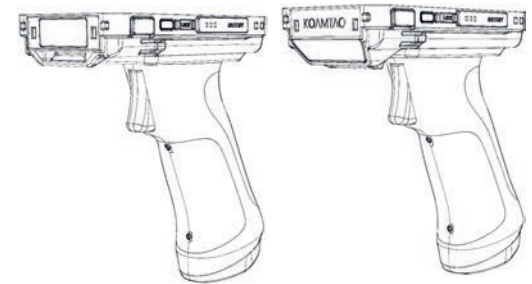
- 1-Slot Charging Cradle
- Extended Battery

KOAMTAC

116 Village Blvd, Ste 305, Princeton, NJ 08540
+1 609-256-4700 p | +1 609-228-4373 f
info@koamtac.com | www.koamtac.com

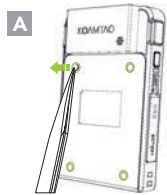
KOAMTAC

KDC470/475 Pistol Grip Assembly Manual

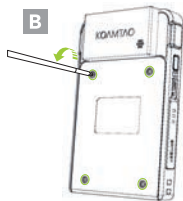


Assembly Instructions:

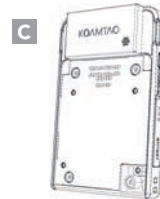
1. Using tweezers, carefully remove all four (4) screw caps from back of KDC470/475. (A)



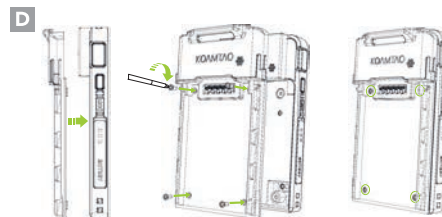
2. Remove all four (4) screws from back of KDC470/475. (B)



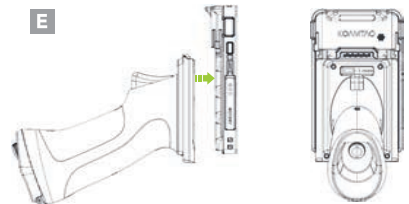
3. Remove cover plate from back of KDC470/475. (C)



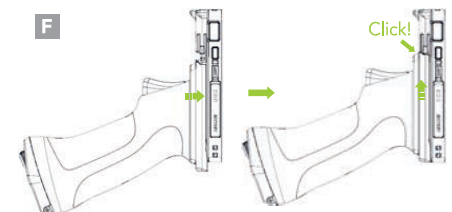
4. Align screw holes of Pistol Grip Adapter with screw holes of KDC470/475. Use four (4) included screws to attach Pistol Grip Adapter to KDC470/475.



5. Align notch in top of Pistol Grip with top notch of the Pistol Grip Adapter. (E)

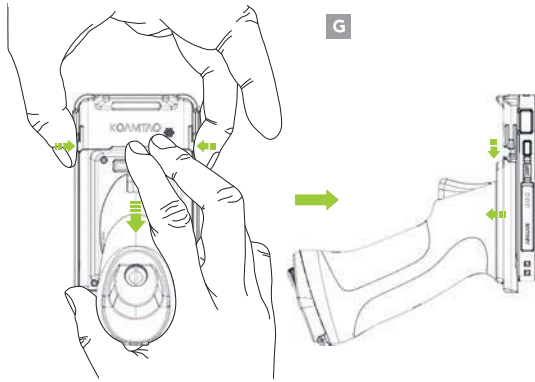


6. Slide Pistol Grip up until it clicks. (F)



Removing Pistol Grip

Squeeze tabs on both sides of the Pistol Grip Adapter and slide the Pistol Grip down. Pull the Pistol Grip away from the Pistol Grip Adapter and KDC470/475.



3. Close the battery door and turn the battery door knob clockwise to lock. (J)

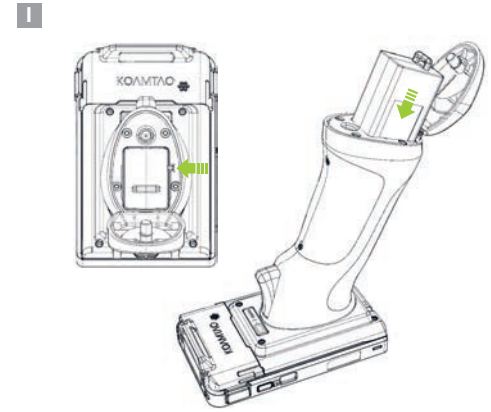


6000mAh Li-ion Battery Installation (Optional)

1. Turn knob on the bottom of the Pistol Grip counter-clockwise to open the battery door. (H)



2. Insert the battery into the Pistol Grip. (I)



Pistol Grip Battery Status



When the device is charging

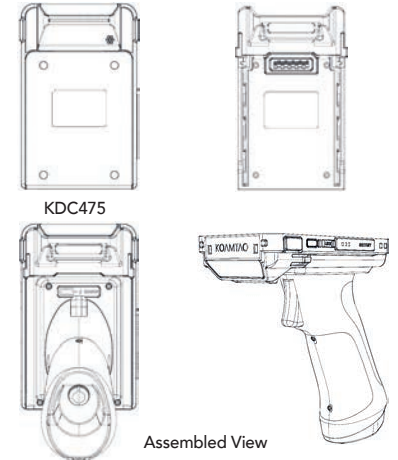
Red: Low Battery
Orange: Charging
Green: Fully Charged

When the battery is in use and device is discharging

Blinking Red: Low Battery
Blinking Orange: Discharging
Blinking Green: Fully Charged

*The LED (Light Emitting Diode) blinks when the battery is being used .

KDC475 with Pistol Grip



*Assembly procedure is the same as KDC470.