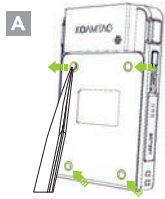
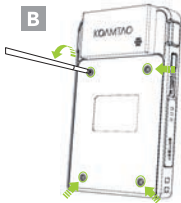


Assembly Instructions

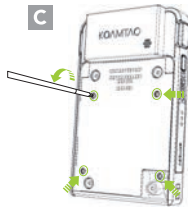
1. Using tweezers, carefully remove all four (4) screw caps from back of KDC470/475. (A)



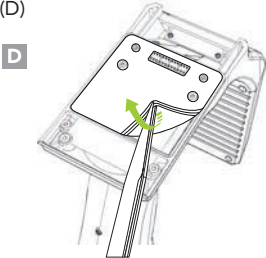
2. Remove all four (4) screws from back of KDC470/475. (B)



3. Remove cover plate from back of KDC470/475. (C)

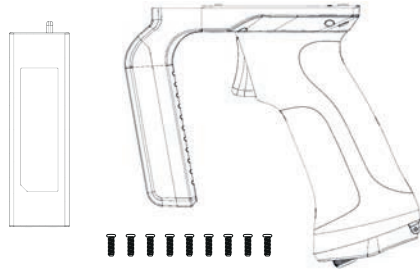


4. Remove blue protective film from KDCSLED-UHF1.0W. (D)



What's in the Box?

- 1 x KDCSLED-UHF1.0W
- 1 x 600mAh Lithium-ion Battery
- 8 screws + 1 extra



*KDC470/475 sold separately. Tweezers and PH0 screwdriver (not included) will be necessary to complete assembly.

Additional KDC470/475 Accessories:

- 1-Slot Charging Cradle

KOAMTAC

116 Village Blvd, Ste 305, Princeton, NJ 08540
+1 609-256-4700 p | +1 609-228-4373 f
info@koamtac.com | www.koamtac.com

KOAMTAC

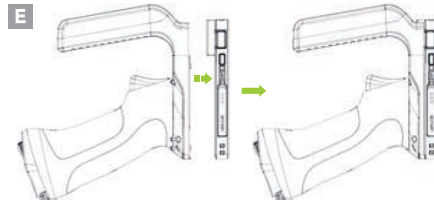
KDC470/475
KDCSLED-UHF1.0W
Assembly Manual



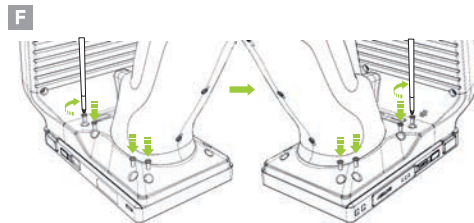
*KDC470 KDCSLED-UHF1.0W and KDC475 KDCSLED-UHF1.0W are assembled the same way.

3. Remove cover plate from back of KDC470/475. (C)

5. Align the screw holes of KDC470/475 with the screw holes of the KDCSLED-1.0W. (E)

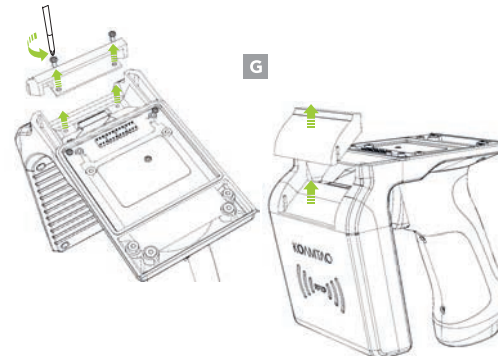


6. Use the four (4) included screws to tighten the KDCSLED-UHF1.0W to KDC470/475 as shown as below. (F)

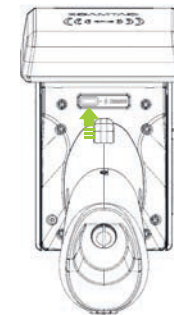


Cover Disassembly (KDC 475 only)

If using the KDCSLED-UHF1.0W with a KDC475, you must remove the cover by removing the two screws and lifting the cover up as shown below. This must be done prior to attaching to KDC475. (G)



Battery Status



When the device is charging

Red: Low Battery
Orange: Charging
Green: Fully Charged

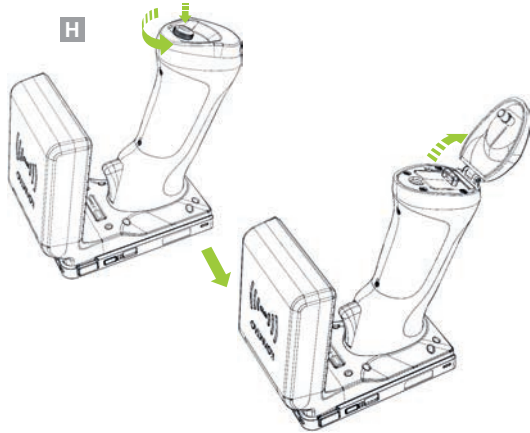
When the battery is in use and device is discharging

Blinking Red: Low Battery
Blinking Orange: Discharging
Blinking Green: Fully Charged

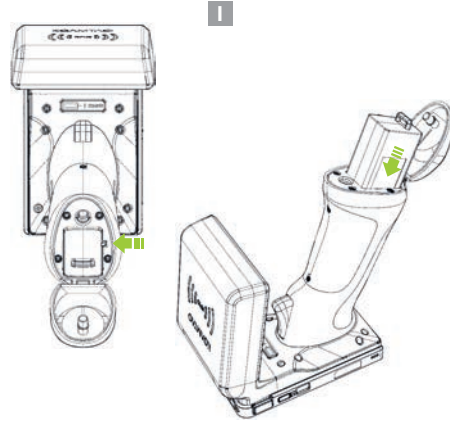
*The LED (Light Emitting Diode) blinks when the battery is being used .

6,000mAh Lithium-ion Battery Installation

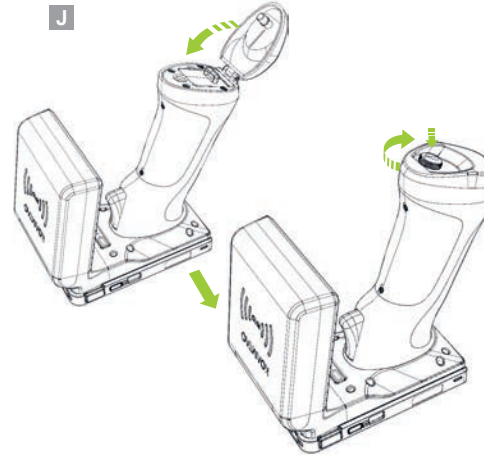
1. Turn the battery door knob counterclockwise and open the battery door as shown below. (H)



2. Insert the battery to the KDCSLED-UHF1.0W inner guide groove. (I)



3. Close the battery door. And turn the battery door knob clockwise to lock. (J)



Changing Tag Read Mode

The tag read mode is changed by scanning one of the following barcode or by pressing the Down key of KDC470/475 for 3 seconds in RFID mode.

The order is changed to in the following order:
Active (default) read -> Single read -> Multiple read

Active Read Mode

Basic operation status. Simultaneous reading of multiple tags while pressing the scan button (max. 10 minutes).

* 3 short beeps will occur when changing mode with Down key.

Active Read Mode



Single Read Mode

Only one tag is read every time the scan button is pressed.

* 1 short beep will occur when changing mode with Down key.

Single Read Mode



Multiple Read Mode

When the Scan button is pressed, multiple tags are read simultaneously for the set time (default 10 seconds).

* Time setting can be changed in Settings -> Reading Timeout.
* 2 short beeps will occur when changing mode with Down key.

Multiple Read Mode



Toggle Read Modes

There are two read modes in which the SCAN or Trigger button works and they are toggled by pressing UP button for 3 seconds.

- Barcode Mode: When entered into this mode, 1 long and 1 short beep will be heard. Barcodes can be read with SCAN or Trigger button.
- Tag Reading Mode: When entered into this mode, 1 long and 2 short beeps will be heard. UHF tags can be read with SCAN or Trigger button.

View of Assembled Product



Assembled View
with KDC470



Assembled View
with KDC475