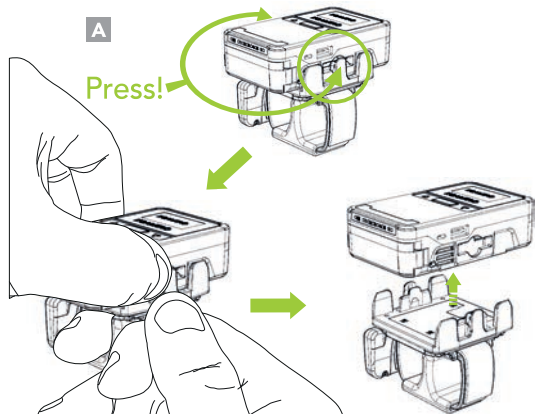


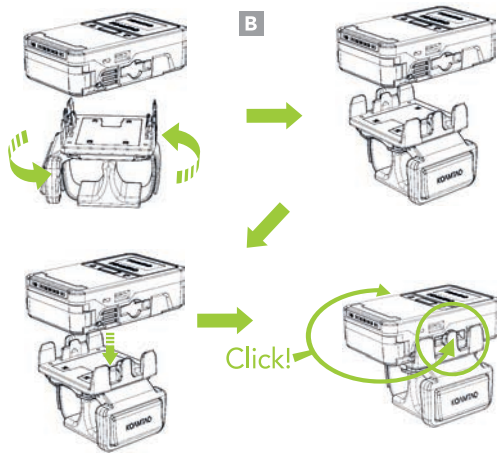
## Change Trigger Module Direction

1. To remove the KDC180 from the trigger module, press and hold each tab on both sides of the trigger module cap while pulling the KDC180 upward. (A)



\*Only for Double Ring Scanner.

2. Rotate trigger module 180 degrees and insert the KDC180 in to the trigger module cap until both sides click. (B)



## Additional Accessories

- ▶ Finger Trigger Glove
- ▶ Micro USB Cable
- ▶ 2-Slot and 10-Slot Charging Cradles
- ▶ KBLED41 BLE Dongle
- ▶ Protective Rubber Boot

## KDC180 Models

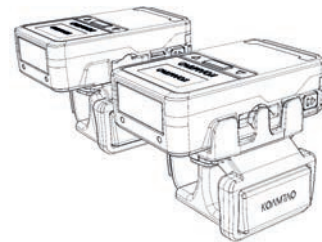
- ▶ KDC180U Wearable 0.5W UHF Reader
- ▶ KDC180H 2D Imager
- ▶ KDC180H 2D Imager with Keypad
- ▶ KDC180H 2D Imager with Inductive Charging
- ▶ KDC180H 2D Imager with 0.5W UHF Reader

**KOAMTAC**

116 Village Blvd, Ste 305, Princeton, NJ 08540  
+1 609-256-4700 [p](#) | +1 609-228-4373 [f](#)  
[info@koamtac.com](mailto:info@koamtac.com) | [www.koamtac.com](http://www.koamtac.com)

**KOAMTAC**

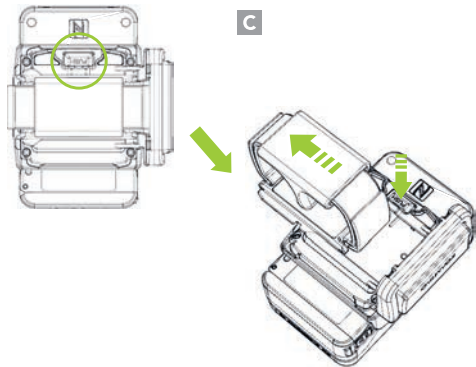
**KDC180**  
Double Ring Scanner  
& Ring Scanner Manual



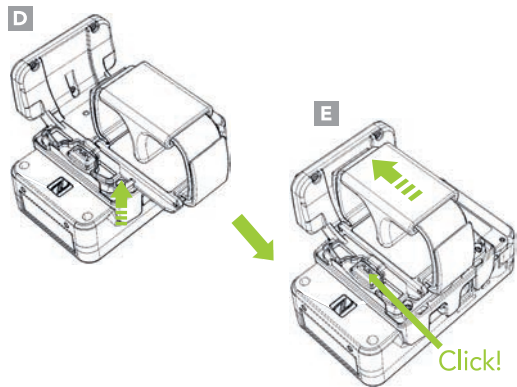
\*KDC180 Inductive / Keypad / 0.5W UHF Models are assembled the same way.

## Replacing the Ring Band

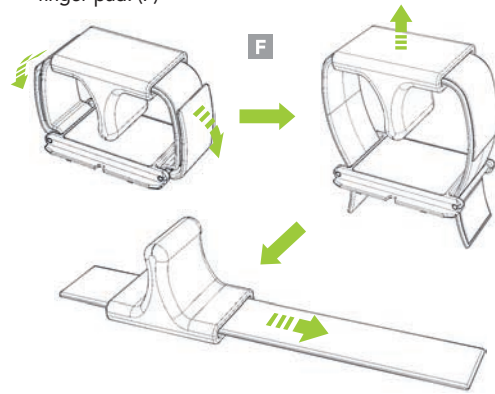
3. While pressing the "PUSH" button, slide the ring band in the opposite direction of the trigger button as shown. (C)



3. Align the sides of the ring band with the rails on the trigger module (D). Insert the ring band by pushing the ring band into the trigger module rail until it clicks. (E)

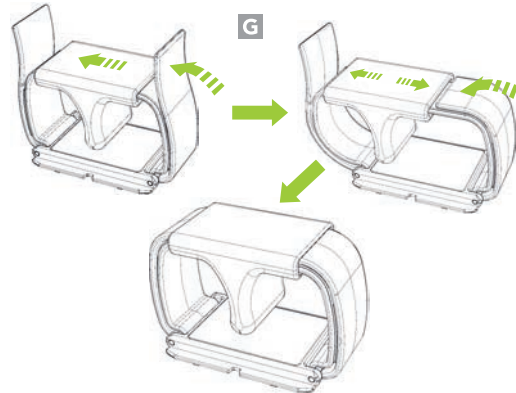


5. Spread both sides of hook and loop band as shown and detach from the ring band. Remove the band from the finger pad. (F)



## Band Storage

6. Put your fingers through the band and set it to a comfortable length. If the band is too long, move the finger pad on both sides to store the band as shown. (G)



\*The replacement ringband description applies to both double ring scanners and ring scanners.

\*To reattach the ring band, perform the previous steps in reverse.

\*If the original band is too large, use the enclosed short band.