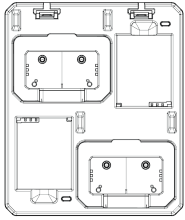
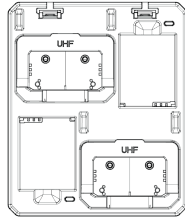


What's in the Box? 2-Slot Cradle

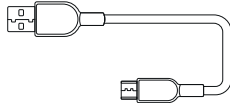
- ▶ 1 x KDC180 2-Slot Cradle with No-Boot Spacer
- ▶ 1 x KDC180 2-Slot Cradle with UHF Spacer (Optional)
- ▶ 1 x 5V/2.4A USB Adaptor
- ▶ 1 x USB TYPE-C Cable



With No-Boot Spacer



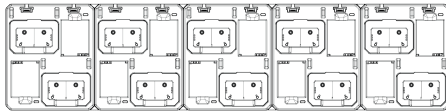
With UHF Spacer (Optional)



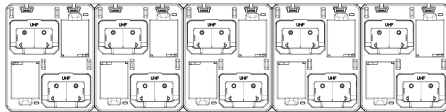
* The shape of the adaptor may vary by country.

What's in the Box? 10-Slot Cradle

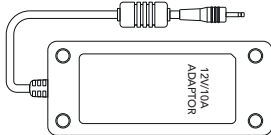
- ▶ 1 x KDC180 10-Slot Cradle with No-Boot Spacer
- ▶ 1 x KDC180 10-Slot Cradle with UHF Spacer (Optional)
- ▶ 1 x 12V/10A DC Power Adaptor



With No Boot Spacer



With UHF Spacer (Optional)

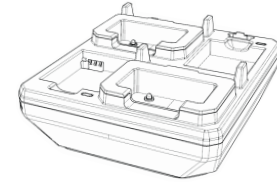
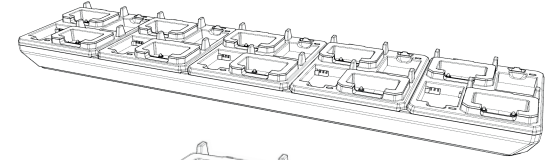


KOAMTAC

116 Village Blvd, Ste 305, Princeton, NJ 08540
+1 609-256-4700 p | +1 609-228-4373 f
info@koamtac.com | www.koamtac.com

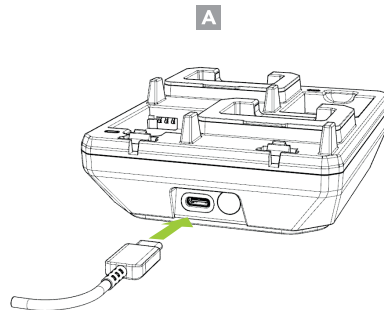
KOAMTAC

KDC180 Charging Cradle Mini Guide



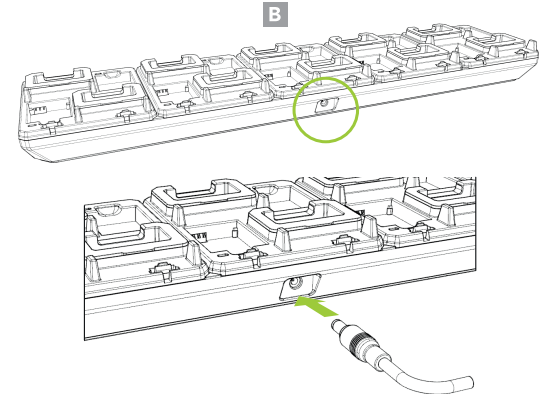
Charging via Type-C Port (2-Slot)

Connect the USB adaptor and USB Type C cable. Then, connect the USB Type C cable to the USB Type C port on the back of the 2-Slot Charging Cradle (A). Place the KDC180 into the charging cradle to begin charging.

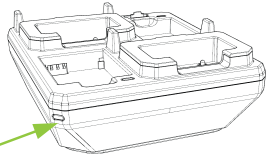


Charging via DC Connector (10-Slot)

Connect the power adaptor to the DC jack on the back of the 10-Slot Charging Cradle (B). Place the KDC180 into the charging cradle to begin charging.



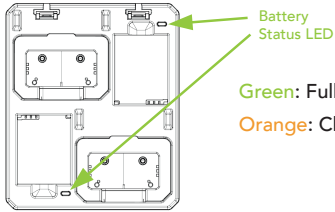
Cradle Power LED Status



Main Power
Status LED

Green: Always on when the cradle is powered on

Battery LED Status

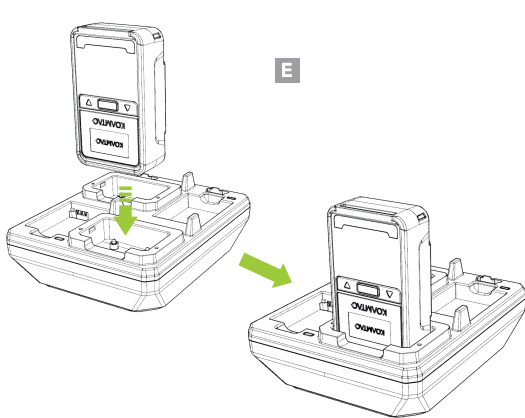


Battery
Status LED

Green: Fully charged

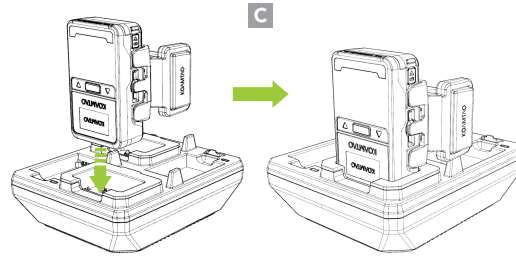
Orange: Charging

2. KDC180 devices other than UHF models can now be charged while wearing a protective boot. To charge, place the KDC180 into the cradle as shown below: (E)



How to Charge Your KDC180

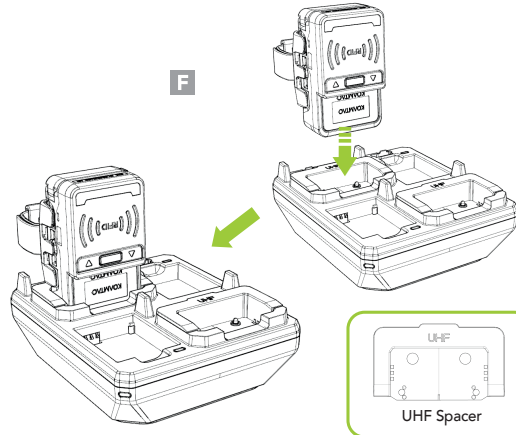
For all models other than the KDC180 with UHF, charge the KDC180 by placing it into the cradle as shown below: (C)



* KDC180W model with optional Inductive charging antenna can be charged on both Qi compliant wireless charging pad and charging cradle.

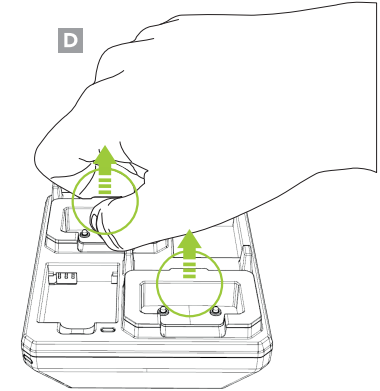
Charging UHF Models (Optional)

Make sure the UHF spacer is installed and then place the KDC180 UHF model into the cradle as shown below: (F)



Charging with a Protective Boot

1. Remove the No-Boot spacer from the cradle by pulling the tab on the back of the spacer up: (D)



1010mAh Battery Charging

Tilt the battery as shown in the figure and mount it in the battery slot: (G)

