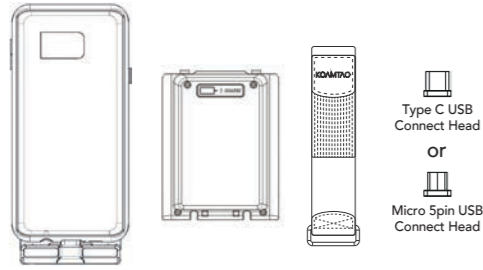


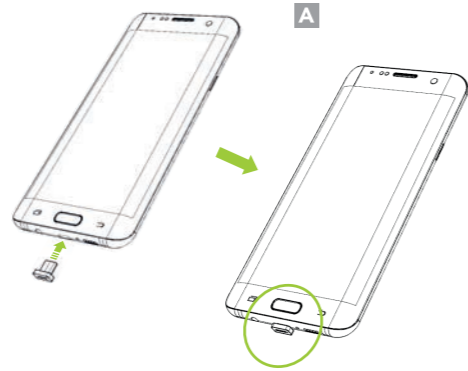
## What's in the Box?

- 1 x General Universal Adaptor (GUA) with Case or
- 1 x OtterBox uniVERSE Adaptor (OUA) with Case or
- 1 x Integrated Charging Case
- 1 x 2000mAh Extended Battery
- 1 x Extended Battery Hand Strap
- 1 x Magnetic USB Connect Head (Type C or Micro USB) for GUA and OUA

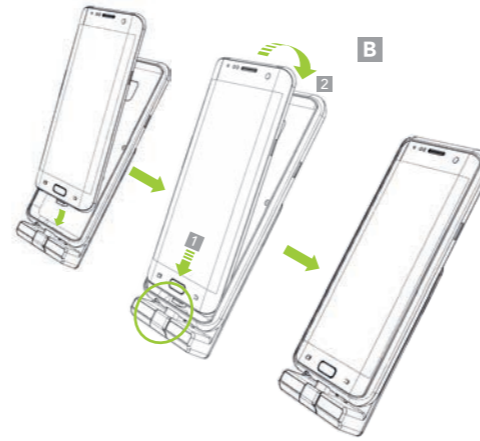


## Device Installation (GUA)

1. Attach the appropriate USB connect head to the phone. (A)



2. Slide the phone into the General Universal SmartSled. (D)



Additional KBCC Accessories:

- 1-Slot Charging Cradle
- 4-Slot Charging Cradle
- Spare External Battery

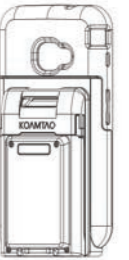
Visit our website for more information.

# KOAMTAC

116 Village Blvd, Ste 305, Princeton, NJ 08540  
+1 609-256-4700 p | +1 609-228-4373 f  
info@koamtac.com | www.koamtac.com

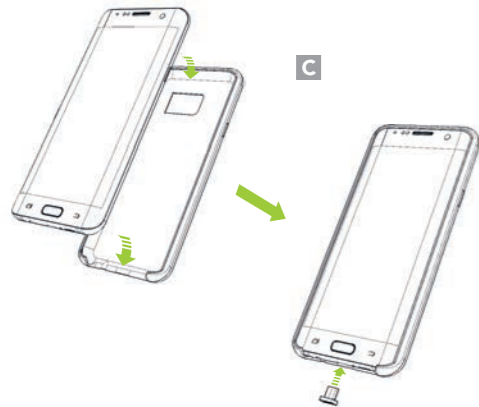
# KOAMTAC

Protective Charging Case  
with Extended Battery  
(KBCC) Mini Guide

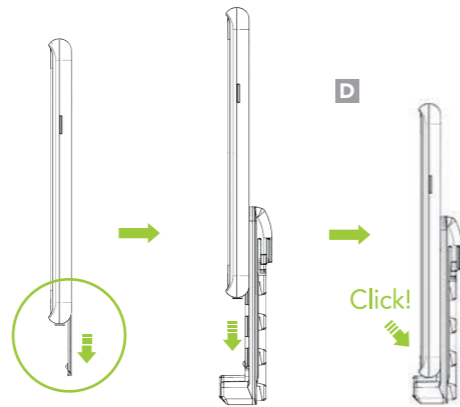


## Device Installation (OUA)

1. Install your phone in the uniVERSE case and install the appropriate USB Connect Head for your phone. (C)

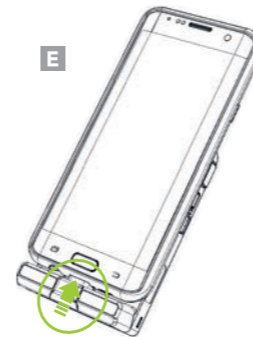


2. Remove the Removable Accent Plate from the back of the uniVERSE Case. Align the case with the KBCC Adaptor and slide down until you hear a click indicating it is in place. (D)



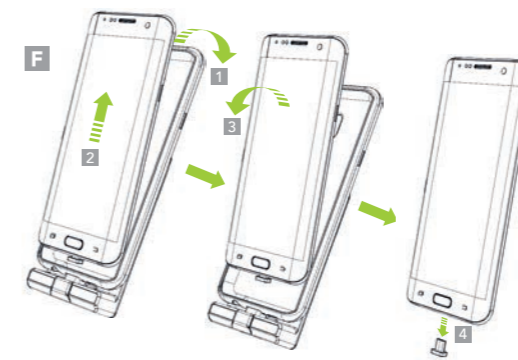
## Checking Connection (GUA and OUA)

To test the connection between the GUA/OUA and the installed USB Connect Head, attempt to charge your device via USB or Charging Cradle. A successful connection will indicate charging on your device. (E)



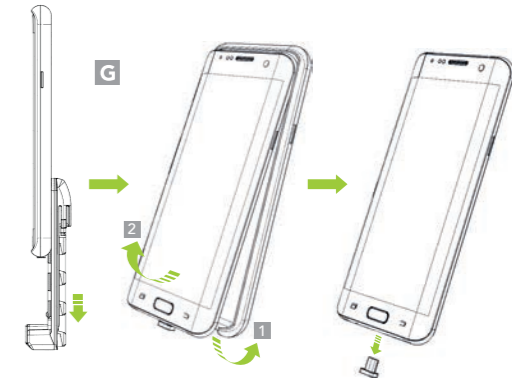
## Removing Phone (GUA)

Remove the phone from the case by peeling off the top edge of the General Universal SmartSled. Carefully slide the phone up and pull the phone toward you. Remove the USB Connect Head from the bottom of the phone. (F)



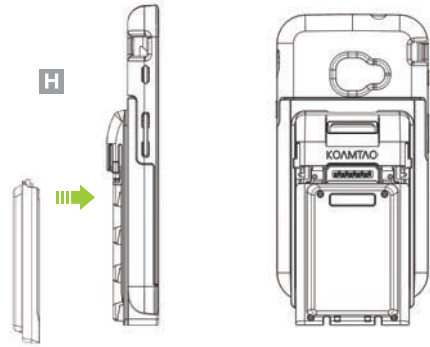
## Removing Phone (OUA)

Slide down and remove KBCC Adaptor from the uniVERSE Case. Remove the phone from uniVERSE Case by peeling off the bottom edge of the uniVERSE Case. Remove the USB Connect Head from the phone. (G)

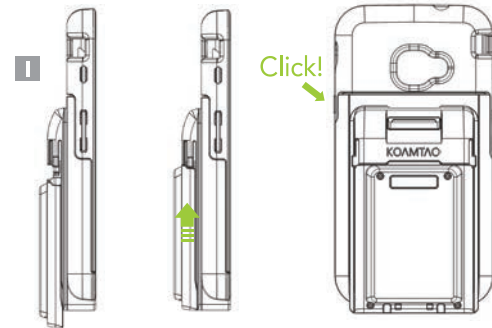


## Assembly Instructions

1. With the Protective Charging Case and the Extended Battery Adaptor installed, align the top notch of the Extended Battery with the top notch of the Extended Battery Adaptor. (H)

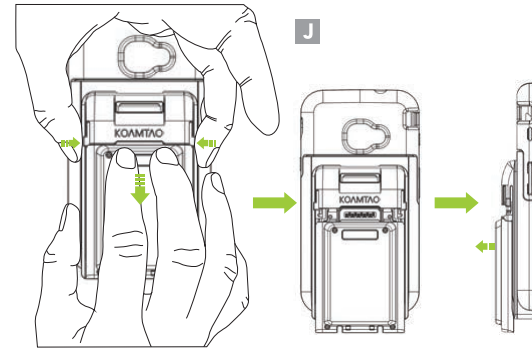


2. Slide the Extended Battery up until it clicks. (I)



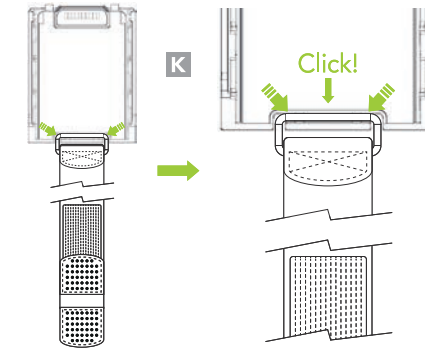
## Removing Extended Battery

Squeeze the tabs on both sides of the Extended Battery Adaptor and slide the Extended Battery down. Pull the Extended Battery away from the Extended Battery Adaptor and Case. (J)



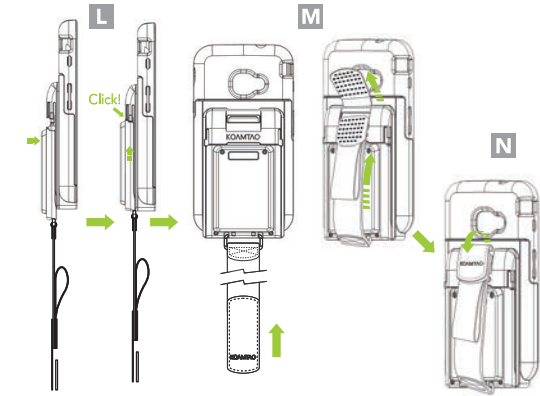
## Hand Strap Assembly Instructions

1. Place the unattached Extended Battery upside down. Place the metal ring of the Hand Strap into the groove on the bottom of the Extended Battery. Fully insert the ring until it clicks. (K)



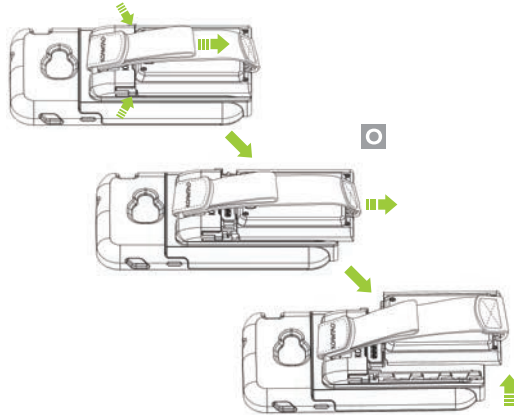
\*Hook-and-loop fastener side up

2. Attach the Extended Battery to the Extended Battery Adaptor. (L) Lift bottom of hand strap to top and slide the hand strap through the loop at the top of the Adaptor. (M) Connect the hook-and-loop fasteners to secure the hand strap in place. (N)

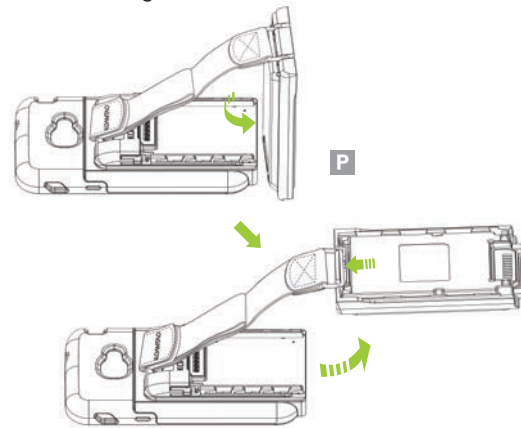


## Exchange Extended Battery

1. Squeeze the tabs on both sides of the Extended Battery Adaptor, slide the Extended Battery down, and raise the Extended Battery upwards. (O)



2. After rotating the battery, remove the battery from the metal ring. (P)



\*To reattach the battery, perform the previous steps in reverse.

## Extended Battery Status

When the device is charging

Red: Low Battery  
Orange: Charging  
Green: Fully Charged

When the battery is in use and device is discharging

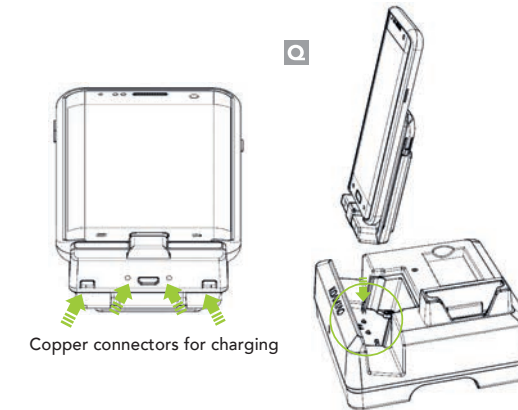
Blinking Red: Low Battery  
Blinking Orange: Discharging  
Blinking Green: Fully Charged



\*The LED (Light Emitting Diode) blinks when the battery is being used .

## Using a Charging Cradle

Align the copper connectors on the bottom of the KBCC with the pogo pins of the cradle and place the KBCC into the cradle. (Q)



## Disclaimer

Otter Products, LLC, and its related persons and entities, is not responsible for the operation of this product or its compliance with safety and regulatory standards. This product has been designed for use with certain OtterBox branded products and has been certified by the manufacturer to meet OtterBox performance standards.

## Warranty Statement

IN NO EVENT WILL THE MANUFACTURER, DISTRIBUTOR OR OTTER PRODUCTS, LLC BE LIABLE FOR ANY INCIDENTAL, DIRECT, INDIRECT, SPECIAL, PUNITIVE OR CONSEQUENTIAL DAMAGES (SUCH AS, BUT NOT LIMITED TO, DAMAGES FOR LOSS OF PROFITS, BUSINESS, SAVINGS, DATA OR RECORDS) RELATED TO THIS PRODUCT. EXCEPT AS STATED HEREIN, NO OTHER WARRANTIES WILL APPLY.

KOAMTAC KDC470/475 OtterBox uniVERSE Case Adaptor  
Built for OtterBox uniVERSE  
Explore at [Business.OtterProducts.com](http://Business.OtterProducts.com)

MG\_KBCC\_20190923